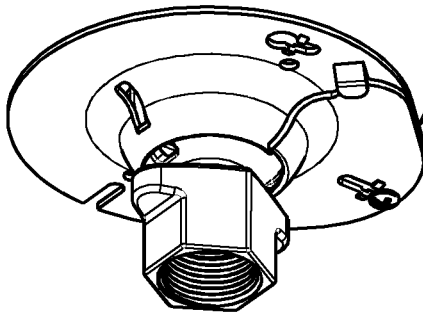


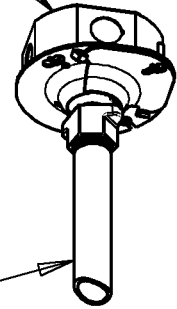


Steel City



COVER CAN BE
MOVED OUT OF
THE WAY TO
HANG FIXTURE
AND CONNECT
ELECTRICAL
CONDUCTORS

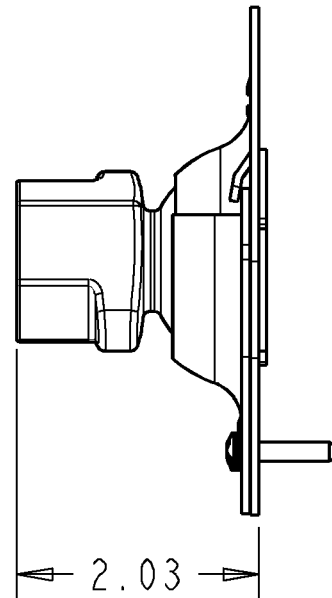
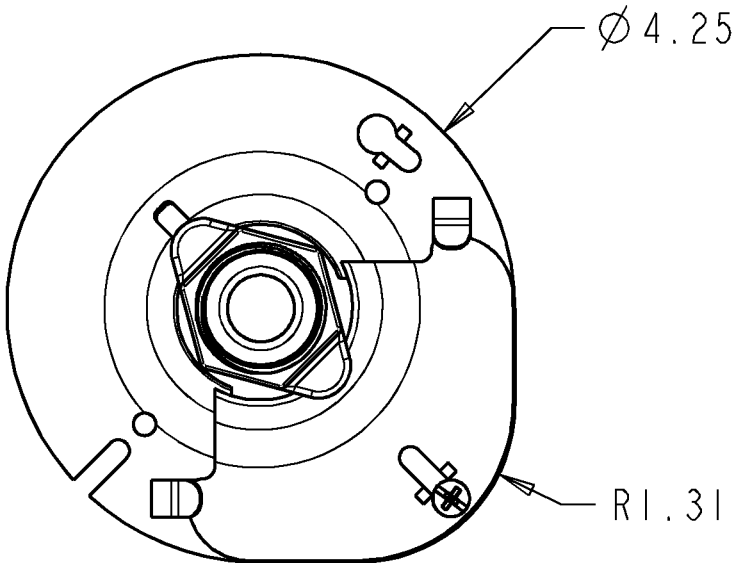
BOX
(REF)



FIXTURE
PIPE
(REF)



1/2 - 3/4" REDUCER
FURNISHED



NOTES:

1. FOR USE WITH 3-1/2" AND 4" OCTAGONAL STEEL BOXES
2. PERMITS 20-DEGREE SWING FROM VERTICAL
3. ACCOMMODATES 1/2" OR 3/4" THREADED FIXTURE PIPE
4. DESIGNED FOR 50 LBS. MAXIMUM FIXTURE SUPPORT
(NOT DESIGNED FOR CEILING FAN SUPPORT)
5. STEEL PLATE/COVER WITH MALLEABLE IRON SWIVEL CONNECTOR
6. ALL PARTS ZINC PLATED

GENERAL NOTES

1. ALL DIMENSIONS ARE FOR REFERENCE ONLY.
2. DIMENSIONS IN BRACKETS [] ARE IN METRIC UNITS.

REVISIONS

** SEE ERN (****)
FOR APPROVAL SIGNATURES
& RELEASE DATE.
PROJECT NO: ****

Thomas & Betts

DESCRIPTION:

SHHFR1234 ROUND HANDS FREE SWIVEL HANGER

ORIGINAL PROJECT NO / (ERN NO)

ND55527 / (2004988)

SHEET NO:

1 OF 1

REV. NO:

-

DRAWING NO:

WSD-000082